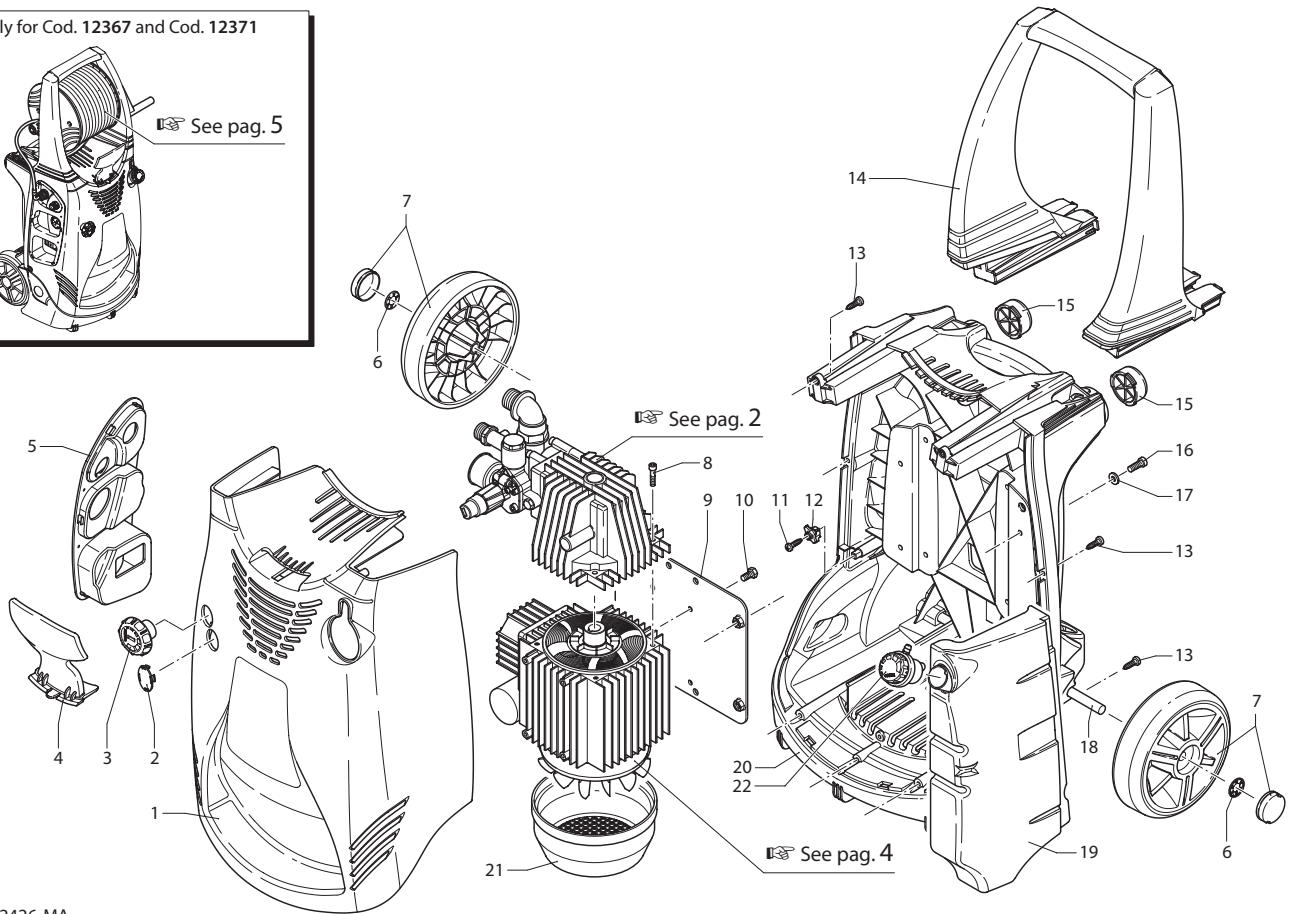
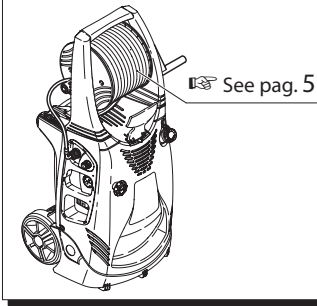


# HW 131



Only for Cod. 12367 and Cod. 12371



UN002426-MA

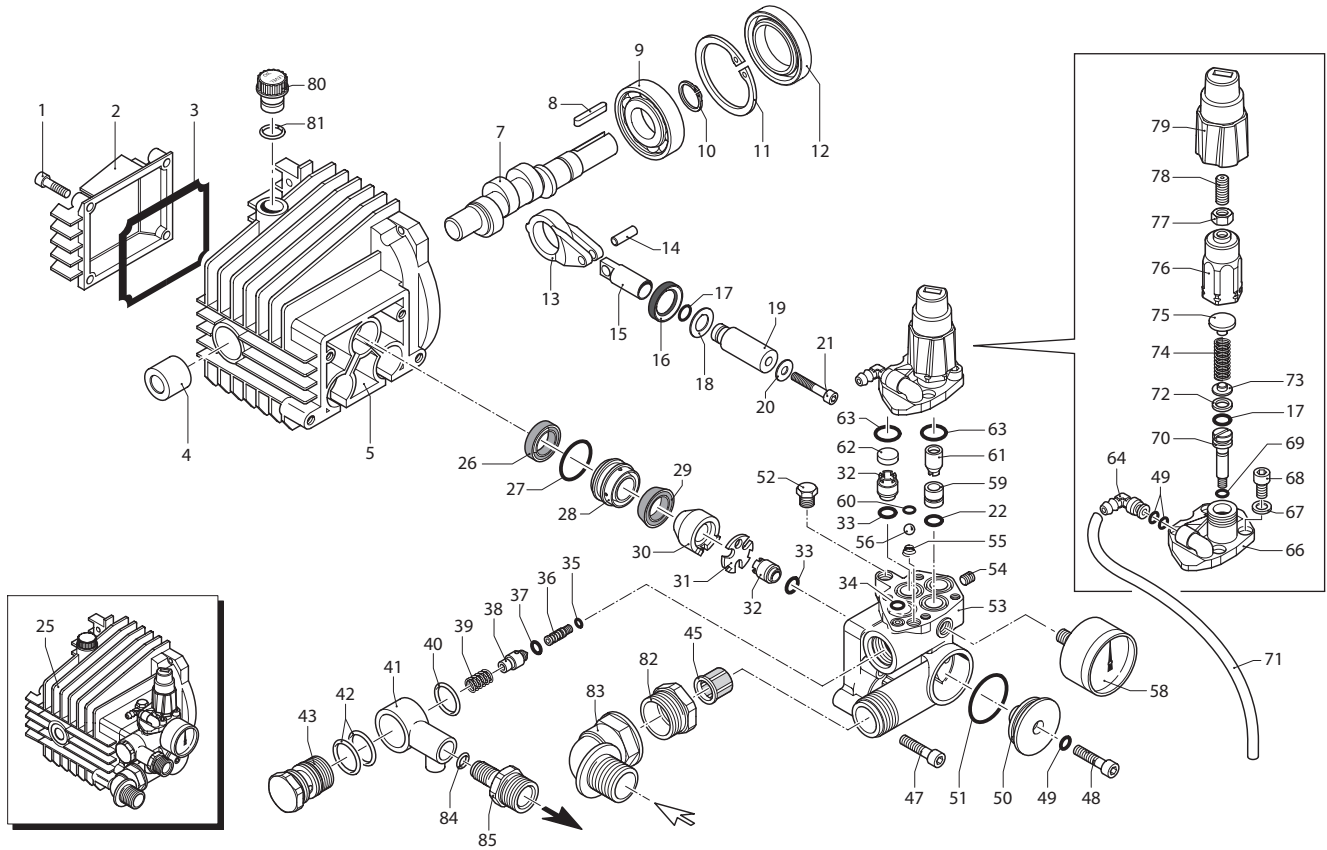
Pos.	Cod. Part n°	Denominazione	Description	Q.tà Q.ty	Note Vedi / See
1	2500046	Cofano verde	Green casing	1	
2	2500340	Tappo chiusura	Closing plug	1	
3	2500310	Pomello regolazione	Knob	1	
4	2500050	Gancio	Hook	1	
5	2500260	Vaschetta	Cover	1	▲●
	2500240	Vaschetta	Cover	1	□
6	1680880	Rondella	Washer	2	
7	2500320	Ruota ø 175 + tappo	Driven gear	2	
8	1260780	Vite TCEI M 5x25	Screw	4	
9	2500100	Piastra fissaggio	Fixing plate	1	
10	320350	Vite TE M 6x12	Screw	4	
11	2100300	Vite autof. 5x16	Screw	1	
12	2600100	Pressacavo	Gland	1	
13	2100300	Vite autof. 5x16	Screw	7	
14	2500020	Manico	Handle	1	
15	2500130	Gommino	Rubber feet	2	
16	880280	Vite TCEI M 6x18	Screw	4	
17	2180300	Rondella øi 6,2	Washer	4	
18	2500120	Assale ruote	Wheels axle	1	
19	2509001	Prem. serbatoio deterg.	Detergent tank assembly	1	
20	2500010	Corpo principale	Body	1	
21	1342040	Copriventola ad incastro	Fan cowling	1	▲●
	1271660	Copriventola ad incastro	Fan cowling	1	□
22	2500220	Tappo serbatoio completo	Compl. detergent plug	1	

## SIMBOLOGIA - SYMBOLS

● Cod. 12367 - HW 131 RLW

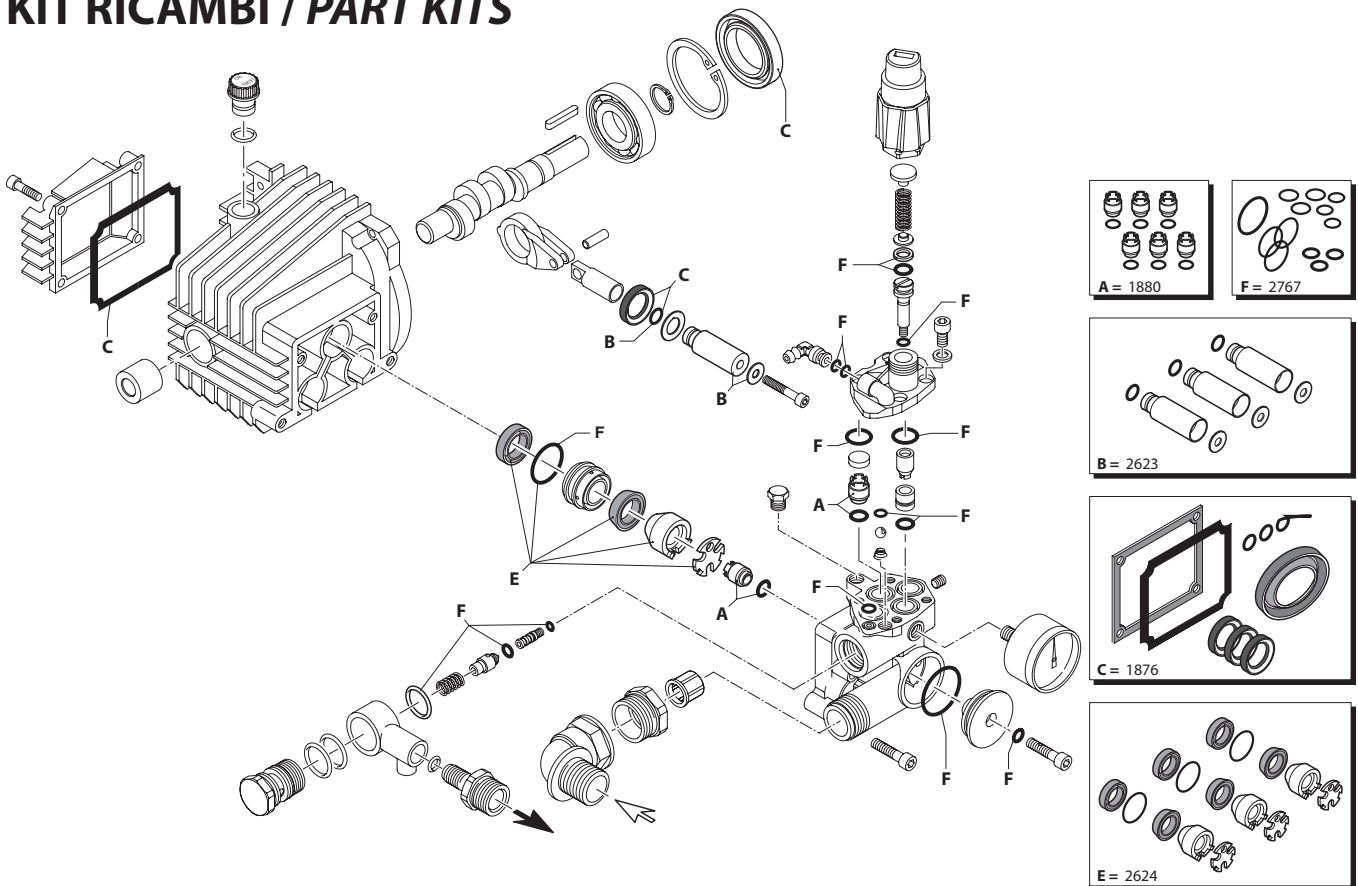
□ Cod. 12369 - HW 131

▲ Cod. 12371 - HW 131 RLW



UN002427-MA

## KIT RICAMBI / PART KITS



UN002428-MA

Pos.	Cod. Part n°	Denominazione	Description	Q.tà Q.ty	Note Vedi / See
1	1260780	Vite TCEI M 5x25	Screw	4	
2	1344060	Coperchio posteriore	Rear cover	1	
3	1040710	OR ø 56x2	O-Ring	1	
4	1260050	Boccola a rullini	Roller bearing	1	
5	1344050	Corpo pompa	Pump housing	1	
7	1340170	Albero eccentrico	Crankshaft	1	
8	880111	Linguetta	Key	1	
9	1341070	Cuscinetto	Bearing	1	
10	480890	Seeger øe 17	Circlip	1	
11	111120	Seeger øi 47	Circlip	1	Ex 11120
12	1341080	Anello tenuta	Seal ring	1	
13	1340060	Biella	Con rod	3	
14	1340080	Spinotto	Piston pin	3	
15	1340070	Pistone di guida	Guiding piston	3	
16	1260460	Anello tenuta	Seal ring	3	
17	600180	OR ø 7,66x1,78	O-Ring	4	
18	1341010	Disco separatore	Spacer disc	3	
19	1342740	Pistone ø 15	Piston	3	
20	1341020	Rondella 6x10x1	Washer	3	Rame
21	850670	Vite TCEI M 6x35	Screw	3	Inox
22	600180	OR ø 7,66x1,78	O-Ring	1	
25	1349265	Prem. pompa	Pump assembly	1	
26	1260440	Guarnizione C1	C1 gasket	3	
27	770260	OR ø 23,52x1,78	O-Ring	3	
28	1342730	Guida pistone ø 15	Piston guide	3	
29	1342760	Guarnizione	Gasket	3	
30	1342720	Anello appoggio	Support ring	3	
31	1342750	Disco	Plate	3	
32	1349053	Valvola completa	Complete valve	6	
33	800560	OR ø 8,73x1,78	O-Ring	6	
34	390341	OR ø 5x2	O-Ring	1	
35	1343110	OR ø 4x1,1	O-Ring	1	
36	1342710	Ugello venturi	Nozzle	1	
37	1460430	OR ø 4x2,5	O-Ring	1	
38	1460260	Pistone	Piston	1	
39	1540140	Molla	Spring	1	
40	880270	OR ø 17,17x1,78	O-Ring	1	
41	1560090	Raccordo	Fitting	1	
42	770570	OR ø 18,77x1,78	O-Ring	2	
43	2500190	Tappo mandata	Outlet plug	1	
45	1340260	Filtro aspirazione acqua	Water suction filter	1	
47	881470	Vite TCEI M 6x45	Screw	4	
48	680700	Vite TCEI M 6x20	Screw	1	
49	480480	OR ø 4,48x1,78	O-Ring	3	

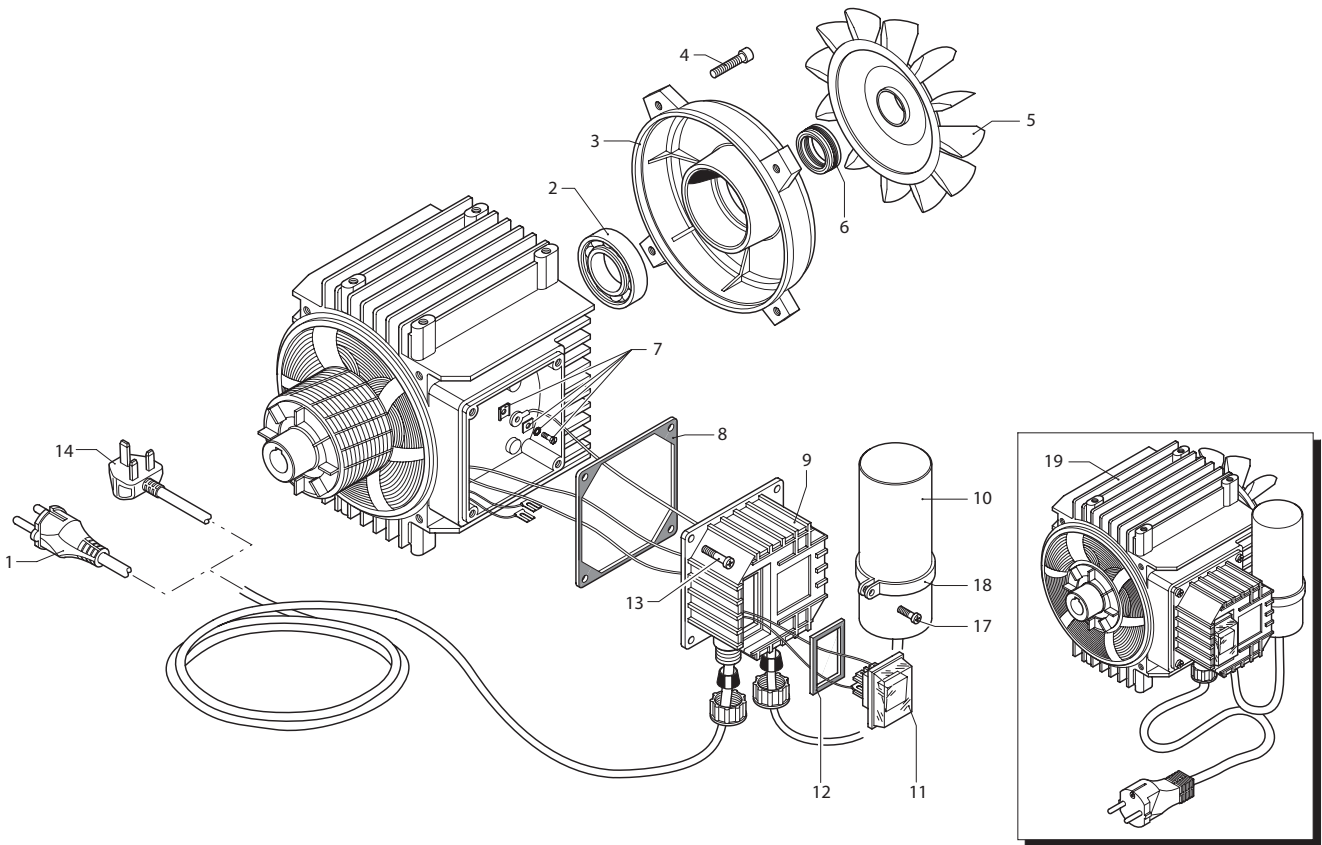
Pos.	Cod. Part n°	Denominazione	Description	Q.tà Q.ty	Note Vedi / See
50	1340190	Coperchio collettore asp.	Inlet fitting cover	1	
51	780050	OR ø 28,25x1,78	O-Ring	1	
52	620301	Tappo 1/8" G	Plug	1	
53	1342670	Testa pompa	Pump head	1	
54	851100	Grano M 5x5	Grub screw	1	
55	1250270	Molla valvola	Valve spring	1	
56	1250280	Sfera inox	Stainless steel ball	1	
58	3226	Manometro ø 40 mm	Pressure gauge	1	
59	1342700	Sede valvola regolazione	Regulation valve seat	1	
60	1460430	OR ø 4x2,5	O-Ring	1	
61	1460150	Pistone inferiore	Lower piston	1	
62	1343810	Pastiglia valvola	Valve seat	3	
63	740290	OR ø 14x1,78	O-Ring	4	
64	1260670	Raccordo detergente	Detergent fitting	1	
66	1342680	Coperchio testa	Head cover	1	
67	1381550	Rondella øi 6,4	Washer	4	
68	1343510	Vite TCEI M 6x14	Screw	4	
69	1080190	OR ø 2,90x1,78	O-Ring	1	
70	1460140	Pistone superiore	Upper piston	1	
71	2500330	Tubo detergente cristallo	Detergent hose	1	
72	1080401	Anello antiestrusione	Back-up ring	1	
73	1343450	Piattello molla	Spring plate	1	
74	1460190	Molla	Spring	1	Cataforesi
75	1343000	Piattello molla	Spring plate	1	
76	2500400	Inserto manopola	Knob insert	1	
77	1060120	Dado M 6	Nut	1	
78	2500480	Grano M 6x12	Grub screw	1	
79	2500210	Prolunga manopola	Knob extension	1	
80	1343900	Tappo olio	Oil plug	1	
81	880840	OR ø 9,25x1,78	O-Ring	1	
82	2180740	Raccordo	Fitting	1	
83	2500280	Prolunga aspirazione	Suction extension	1	
84	480560	OR ø 6,75x1,78	O-Ring	1	
85	2500200	Raccordo mandata	Outlet fitting	1	

## KIT RICAMBI - PART KITS

A=KIT 1880 valvole valves		B=KIT 2623 pistoni pistons		C=KIT 1876 tenute olio oil seals		E=KIT 2624 tenute acqua water seals	
Pos.	Q.ty	Pos.	Q.ty	Pos.	Q.ty	Pos.	Q.ty
32	6	17	3	3	1	26	3
33	6	19	3	12	1	27	3
		20	3	16	3	29	3
				17	3	30	3
				24	1	31	3

F=KIT 2767 OR O-Rings							
Pos.	Q.ty	Pos.	Q.ty	Pos.	Q.ty	Pos.	Q.ty
17	1	40	1	72	1		
22	1	49	3				
27	3	51	1				
34	1	60	1				
35	1	63	4				
37	1	69	1				

## SIMBOLOGIA - SYMBOLS



UN002429-MA

Pos.	Cod. Part n°	Denominazione	Description	Q.tà Q.ty	Note Vedi / See
1	1270950	Cavo	Cable	1	● □ ①
2	1340340	Cuscinetto	Bearing	1	
3	1340320	Scudo posteriore	Rear cover	1	
4	1260760	Vite TCEI M 5x20	Screw	4	Autoformante
5	1260300	Ventola	Fan	1	
6	1340350	Anello tenuta	Seal ring	1	
7	1269100	Mors. di terra completo	Earth clamp	1	
8	1340780	Guarnizione scatola interr.	Switch box gasket	1	
9	1340480	Scatola interruttore	Switch box	1	
10	1263520	Condensatore 40 µF	Capacitor 40 µF	1	
11	1341221	Interruttore 8A	Switch 8A	1	
12	1341140	Guarnizione	Gasket	1	
13	1261560	Vite autof. 3,9x16	Screw	4	
14	1271030	Cavo	Cable	1	▲ ②
17	1260810	Vite TCTC M 4x10	Screw	1	
18	1340280	Fascetta	Clamp	1	
19	4919	Motore elettrico	Electric motor	1	□ ● ①
	44096	Motore elettrico	Electric motor	1	▲ ②

Pos.	Cod. Part n°	Denominazione	Description	Q.tà Q.ty	Note Vedi / See

### SIMBOLOGIA - SYMBOLS

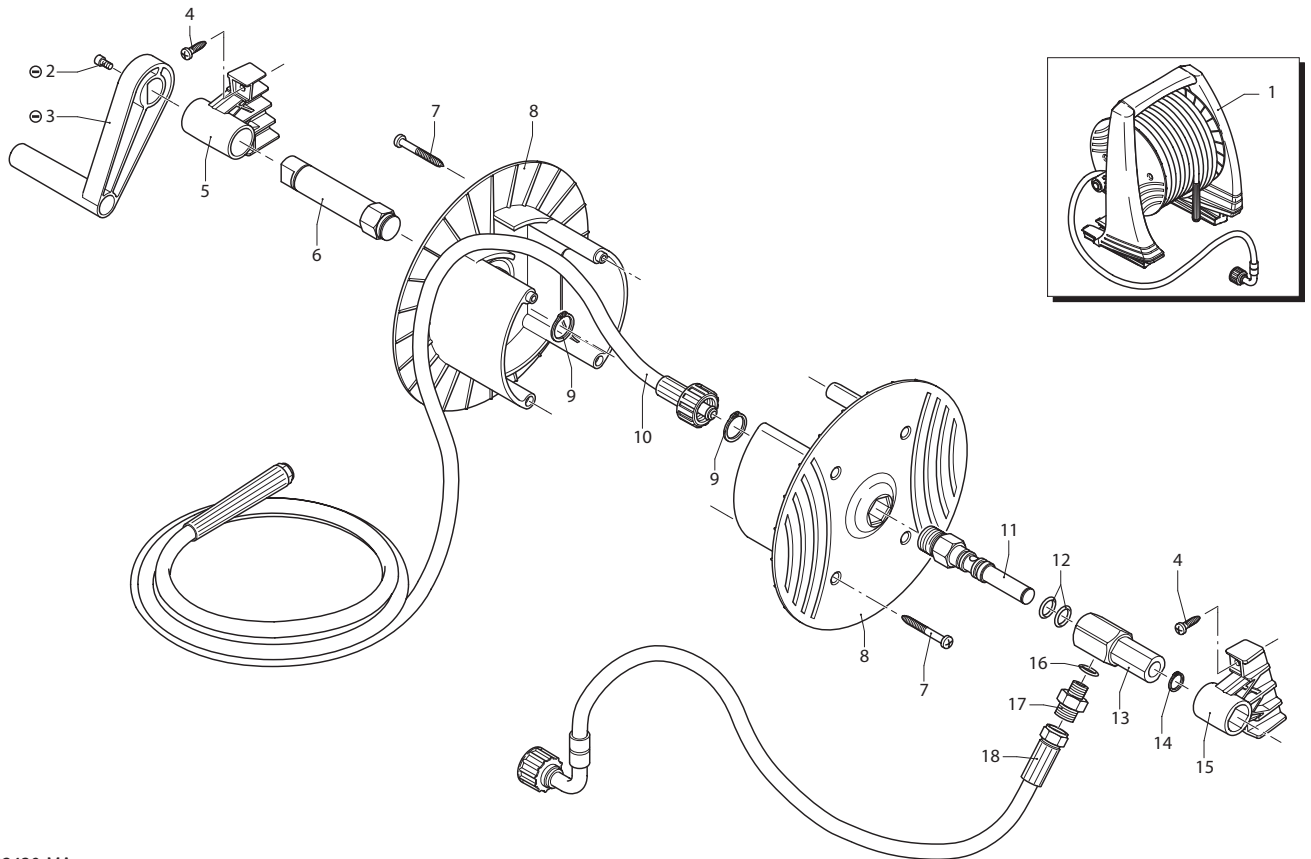
● Cod. 12367 - HW 131 RLW

□ Cod. 12369 - HW 131

▲ Cod. 12371 - HW 131 RLW

① 230 V/50Hz - Schuko

② 230 V/50Hz - UK



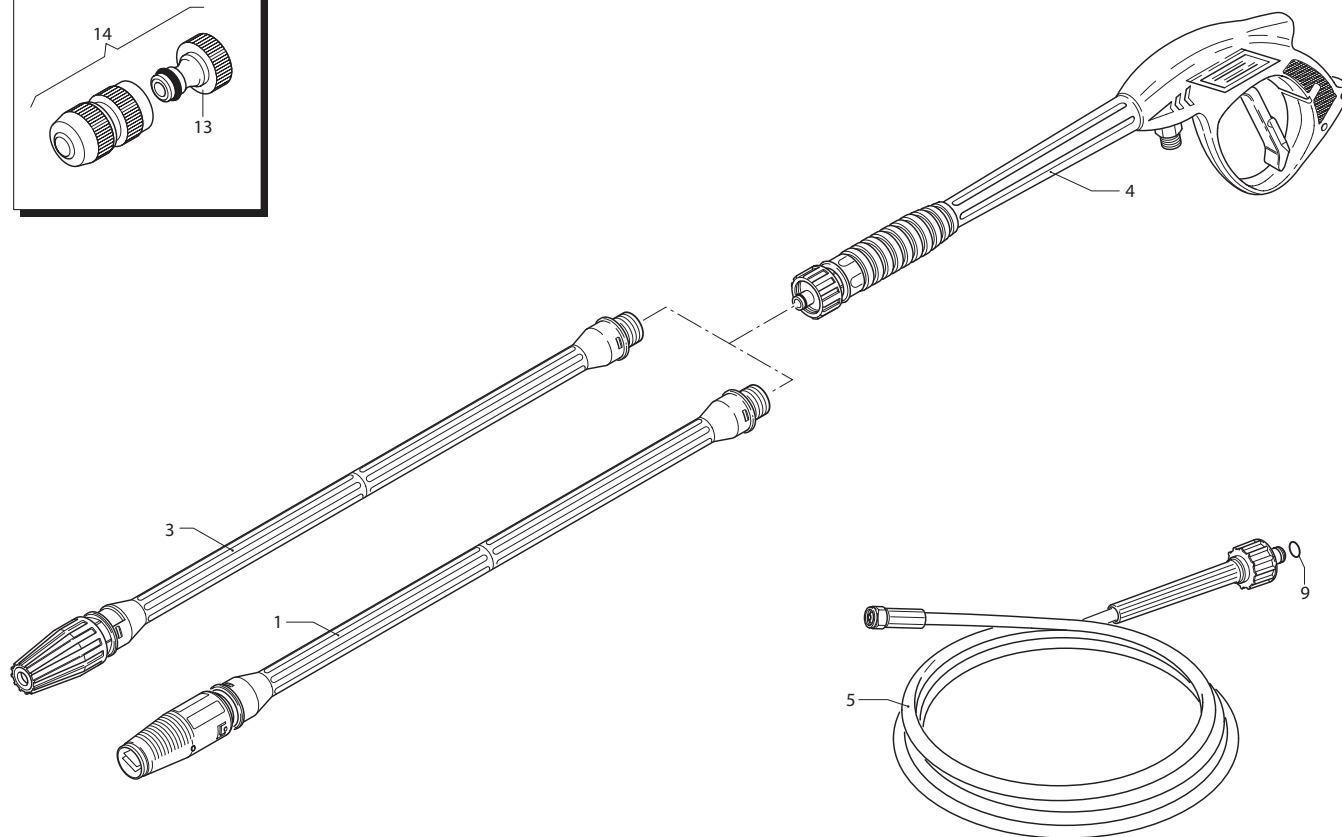
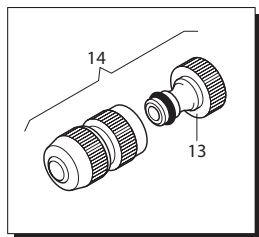
UN002430-MA

Pos.	Cod. Part n°	Denominazione	Description	Q.tà Q.ty	Note Vedi / See
1	2509003	Prem. avvolgitubo	Hose reel assembly	1	
2	2360360	Vite TCEI M5x10	Screw	1	
3	2360150	Leva avvolgitubo	Hose reel lever	1	
4	2100300	Vite autof. 5x16	Screw	4	
5	2500060	Staffa dx	Sx bracket	1	
6	2500360	Perno sx	Sx pin	1	
7	1681280	Vite autof. 4,2x50	Screw	4	
8	2360230	Avvolgitubo	Hose reel	2	
9	380420	Seeger ø 22	Circlip	2	
10	2360250	Tubo di mandata	High pressure hose	1	15 m
11	2360210	Perno dx	Dx pin	1	
12	390080	OR ø 11,91x2,62	O-Ring	2	
13	2360220	Raccordo	Fitting	1	
14	2360320	Seeger ø 14	Circlip	1	
15	2500070	Staffa sx	Dx bracket	1	
16	820510	OR ø 10,82x1,78	O-Ring	1	
17	2360310	Nipples 1/4"-3/4"G (M)	Threaded adapter	1	
18	2360250	Tubo	Hose	1	

Pos.	Cod. Part n°	Denominazione	Description	Q.tà Q.ty	Note Vedi / See

### SIMBOLOGIA - SYMBOLS

⊖ Non compreso nel premontaggio motore  
No part of pre-assembly electric motor



UN002431-MA

Pos.	Cod. Part n°	Denominazione	Description	Q.tà Q.ty	Note Vedi / See
1	40030	Testina+lancia	Head+lance	1	● ▲
	40412	Testina+lancia	Head+lance	1	□
2	40169	Rotopower	Rotopower	1	
4	40171	Pistola	Gun	1	
5	1271350	Tubo di mandata	High pressure hose	1	□ 9,5 m
9	2000770	OR ø 10x2	O-Ring	1	
13	1461470	Raccordo	Fitting	1	
14	3212	Innesto raccordo+guarn.	Attachment for tap+gasket	1	3/4" G(F)

Pos.	Cod. Part n°	Denominazione	Description	Q.tà Q.ty	Note Vedi / See

### SIMBOLOGIA - SYMBOLS

- Cod. 12367 - HW 131 RLW
- Cod. 12369 - HW 131
- ▲ Cod. 12371 - HW 131 RLW

**HW 131 Makita** for **cod.12367 -12369 (Russia)** **Cod.12371 (UK)**

<b>Part n</b>	<b>Description</b>	<b>Price</b>
3212	Attachment for tap+gasket	
3226	Pressure gauge	
4919	Electric motor	
40030	Head+lance	
40169	Rotopower	
40171	Gun	
40412	Head+lance	
44096	Electric motor	
111120	Circlip	
320350	Screw	
380420	Circlip	
390080	O-Ring	
390341	O-Ring	
480480	O-Ring	
480560	O-Ring	
480890	Circlip	
600180	O-Ring	
620301	Plug	
680700	Screw	
740290	O-Ring	
770260	O-Ring	
770570	O-Ring	
780050	O-Ring	
800560	O-Ring	
820510	O-Ring	
850670	Screw	
851100	Grub screw	
880111	Key	
880270	O-Ring	
880280	Screw	
880840	O-Ring	
881470	Screw	
1040710	O-Ring	
1060120	Nut	
1080190	O-Ring	
1080401	Back-up ring	
1250270	Valve spring	
1250280	Stainelss steel ball	
1260050	Roller bearing	
1260300	Fan	
1260440	C1 gasket	
1260460	Seal ring	
1260670	Detergent fitting	
1260760	Screw	
1260780	Screw	
1260780	Screw	
1260810	Screw	
1261560	Screw	
1263520	Capacitor 40 $\mu$ F	
1269100	Earth clamp	
1270950	Cable	
1271030	Cable	
1271350	High pressure hose	
1271660	Fan cowling	
1340060	Con rod	
1340070	Guiding piston	
1340080	Piston pin	
1340170	Crankshaft	
1340190	Inlet fitting cover	
1340260	Water suction filter	
1340280	Clamp	
1340320	Rear cover	
1340340	Bearing	
1340350	Seal ring	
1340480	Switch box	

1340780 Switch box gasket  
1341010 Spacer disc  
1341020 Washer  
1341070 Bearing  
1341080 Seal ring  
1341140 Gasket  
1341221 Switch 8A  
1342040 Fan cowling  
1342670 Pump head  
1342680 Head cover  
1342700 Regulation valve seat  
1342710 Nozzle  
1342720 Support ring  
1342730 Piston guide  
1342740 Piston  
1342750 Plate  
1342760 Gasket  
1343000 Spring plate  
1343110 O-Ring  
1343450 Spring plate  
1343510 Screw  
1343810 Valve seat  
1343900 Oil plug  
1344050 Pump housing  
1344060 Rear cover  
1349053 Complete valve  
1349265 Pump assembly  
1381550 Washer  
1460140 Upper piston  
1460150 Lower piston  
1460190 Spring  
1460260 Piston  
1460430 O-Ring  
1461470 Attachment for tap+gasket  
1540140 Spring  
1560090 Fitting  
1680880 Washer  
1681280 Screw  
2000770 O-Ring  
2100300 Screw  
2180300 Washer  
2180740 Fitting  
2360150 Hose reel lever  
2360210 Dx pin  
2360220 Fitting  
2360230 Hose reel  
2360250 High pressure hose  
2360250 Hose  
2360310 Threaded adapter  
2360320 Circlip  
2360360 Screw  
2500010 Body  
2500020 Handle  
2500046 Green casing  
2500050 Hook  
2500060 Sx bracket  
2500070 Dx bracket  
2500100 Fixing plate  
2500120 Wheels axle  
2500130 Rubber feet  
2500190 Outlet plug  
2500200 Outlet fitting  
2500210 Knob extension  
2500220 Compl. detergent plug  
2500240 Cover  
2500260 Cover  
2500280 Suction extension



2500310 Knob  
2500320 Driven gear  
2500330 Detergent hose  
2500340 Closing plug  
2500360 Sx pin  
2500400 Knob insert  
2500480 Grub screw  
2509001 Detergent tank assembly  
2509003 Hose reel assembly  
2600100 Gland  
    3226 Pressure gauge  
    4919 Electric motor  
    40030 Head+lance  
    40169 Rotopower  
    40171 Gun  
    40412 Head+lance  
    44096 Electric motor  
111120 Circlip  
320350 Screw  
380420 Circlip  
390080 O-Ring  
390341 O-Ring  
480480 O-Ring  
480560 O-Ring  
480890 Circlip  
600180 O-Ring  
620301 Plug  
680700 Screw  
740290 O-Ring  
770260 O-Ring  
770570 O-Ring  
780050 O-Ring  
800560 O-Ring  
820510 O-Ring  
850670 Screw  
851100 Grub screw  
880111 Key  
880270 O-Ring  
880280 Screw  
880840 O-Ring  
881470 Screw  
1040710 O-Ring  
1060120 Nut  
1080190 O-Ring  
1080401 Back-up ring  
1250270 Valve spring  
1250280 Stainelss steel ball  
1260050 Roller bearing  
1260300 Fan  
1260440 C1 gasket  
1260460 Seal ring  
1260670 Detergent fitting  
1260760 Screw  
1260780 Screw  
1260780 Screw  
1260810 Screw  
1261560 Screw  
1263520 Capacitor 40  $\mu$ F  
1269100 Earth clamp  
1270950 Cable  
1271030 Cable  
1271350 High pressure hose  
1271660 Fan cowling  
1340060 Con rod  
1340070 Guiding piston  
1340080 Piston pin  
1340170 Crankshaft

1340190 Inlet fitting cover  
1340260 Water suction filter  
1340280 Clamp  
1340320 Rear cover  
1340340 Bearing  
1340350 Seal ring  
1340480 Switch box  
1340780 Switch box gasket  
1341010 Spacer disc  
1341020 Washer  
1341070 Bearing  
1341080 Seal ring  
1341140 Gasket  
1341221 Switch 8A  
1342040 Fan cowling  
1342670 Pump head  
1342680 Head cover  
1342700 Regulation valve seat  
1342710 Nozzle  
1342720 Support ring  
1342730 Piston guide  
1342740 Piston  
1342750 Plate  
1342760 Gasket  
1343000 Spring plate  
1343110 O-Ring  
1343450 Spring plate  
1343510 Screw  
1343810 Valve seat  
1343900 Oil plug  
1344050 Pump housing  
1344060 Rear cover  
1349053 Complete valve  
1349265 Pump assembly  
1381550 Washer  
1460140 Upper piston  
1460150 Lower piston  
1460190 Spring  
1460260 Piston  
1460430 O-Ring  
1461470 Fitting  
1540140 Spring  
1560090 Fitting  
1680880 Washer  
1681280 Screw  
2000770 O-Ring  
2100300 Screw