



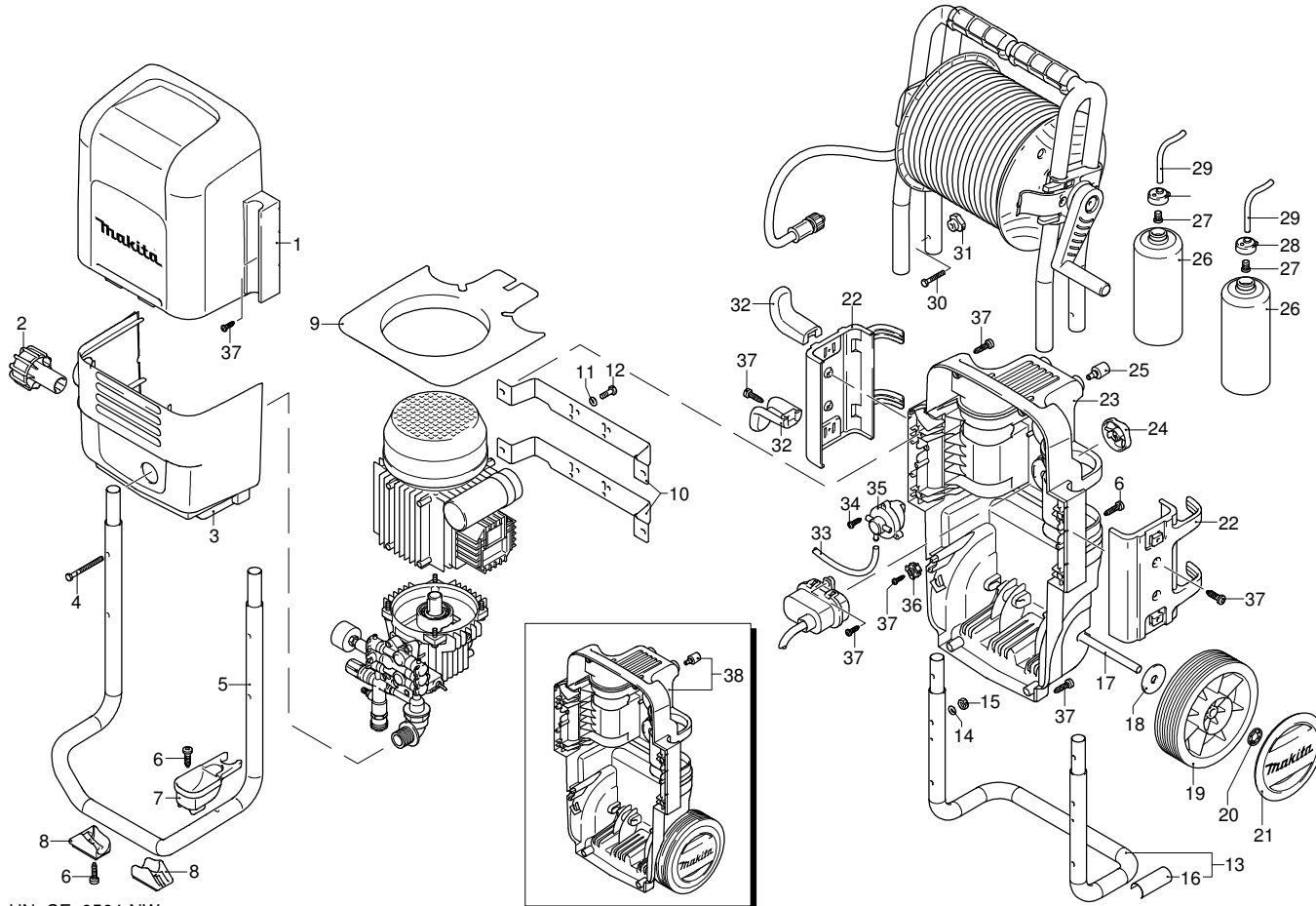
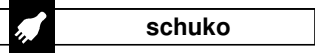
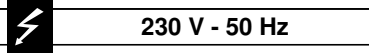
# Model HW 150

Version:

Serial number:

Code: **13029**

07/12/2010



UN\_CE\_0564-NW

Validity	Pos.	Code	Description	Q
	1	3580020	Green casing	1
	2	2360760	Knob	1
	3	3580230	Green casing	1
	4	2320570	Screw	4
	5	3580070	Frame	1
	6	2060200	Screw	5
	7	3580250	Accessories carrier	1
	8	3580270	Support	2
	9	3580040	Support	1
	10	3580260	Support	2
	11	550331	Washer	4
	12	320350	Screw	4
	13	3580060	Frame	1
	14	480650	Washer	4
	15	480640	Nut	4
	16	3580370	Guard	2
	17	2180080	Axle	1
	18	1680890	Washer	2
	19	3580280	Wheel	2
	20	1680880	Washer	2
	21	3580170	Guard	2
	22	3580050	Accessories carrier	2
	23	3580010	Base	1
	24	2900220	Knob	1
	25	2180330	Rubber foot	2
	26	2180130	Tank	2
	27	2000230	Filter	2
	28	3580190	Plug	2
	29	3580300	Detergent hose	2
	30	50037	Screw	2
	31	50019	Knob	2
	32	2360900	Accessories carrier	2
	33	3580290	Detergent hose	1
	34	2000110	Screw	3
	35	3440190	Detergent regulator	1
	36	2600100	Cable gland	1
	37	2100300	Screw	15
	38	3589000	Base assembly	1



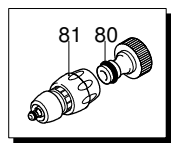
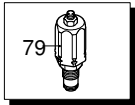
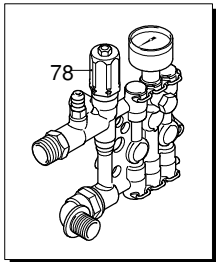
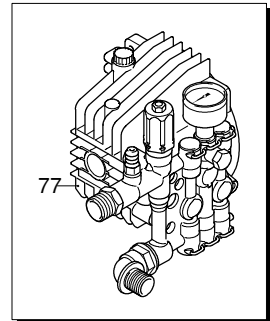
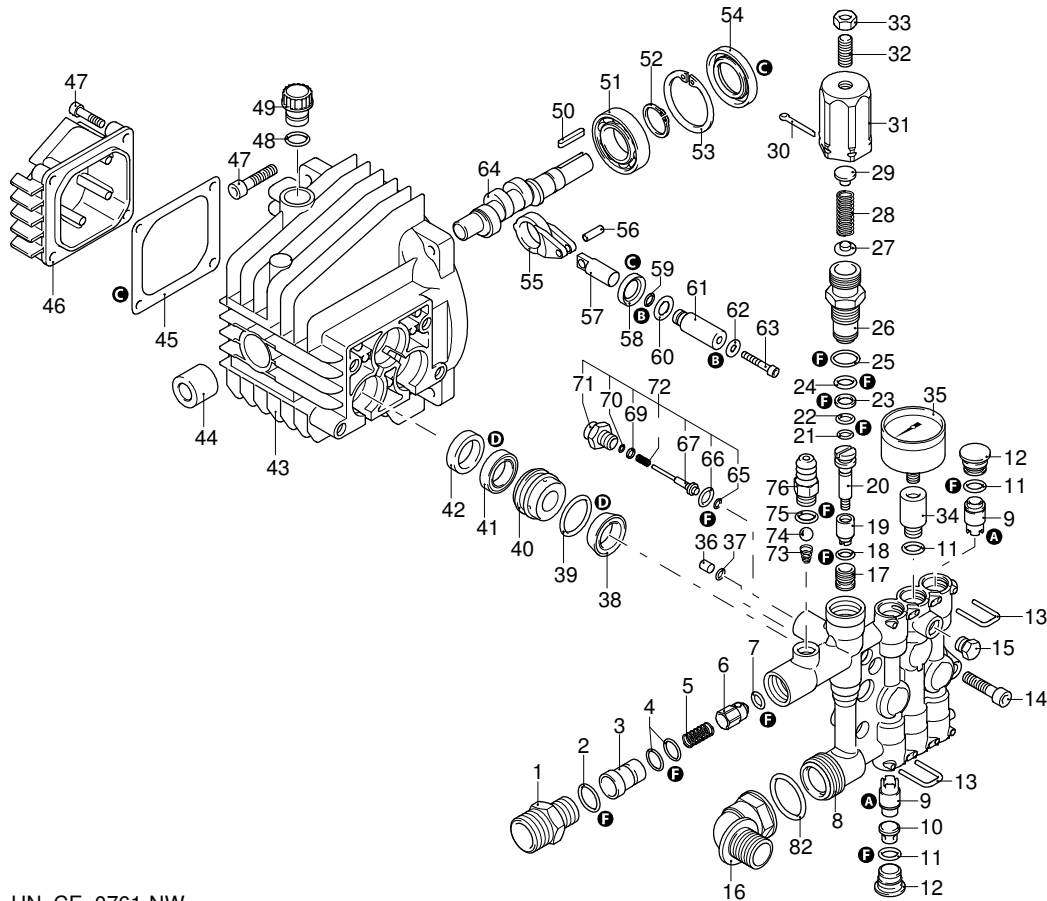
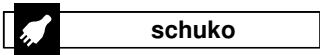
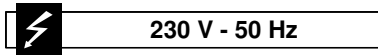
# Model HW 150

Version:

Serial number:

Code: **13029**

07/12/2010



Validity	Pos.	Code	Description	Q
	1	2900120	Fitting	1
	2	740290	O-ring	1
	3	2901060	Injector	1
	4	800560	O-ring	2
	5	1080091	Spring	1
	6	2901070	Shutter	1
	7	1460430	O-ring	1
	8	1344850	Head	1
	9	1349055	Valve	6
	10	1344770	Spacer	3
	11	1465720	O-ring	6
	12	1344800	Plug	5
	13	1344790	Fork	6
	14	850850	Screw	4
	15	620301	Plug	1
	16	2500280	Extension	1
	17	1342701	Seat	1
	18	600180	O-ring	1
	19	1460151	Piston	1
	20	2021900	Piston	1
	21	1080190	O-ring	1
	22	600180	O-ring	1
	23	1080401	Ring	1
	24	820510	O-ring	1
	25	740290	O-ring	1
	26	1344870	Piston guide	1
	27	1343450	Wobble plate	1
	28	1460190	Spring	1
	29	1980220	Wobble plate	1
	30	2500550	Split pin	1
	31	1344881	Insert	1
	32	1980740	Plug	1
	33	1060120	Nut	1
	34	1344940	Extension	1
	35	3232	Pressure gauge	1
	36	1344890	Plug	1
	37	480480	O-ring	1
	38	2460180	Water seal	3
	39	770260	O-ring	3
	40	1344750	Piston guide	3
	41	1260440	Water seal	3
	42	1344760	Oil seal	3
	43	1344050	Pump body	1
	44	1260050	Bushing	1
	45	1040710	O-ring	1
	46	1344060	Cover	1
	47	1260780	Screw	1
	48	880840	O-ring	1
	49	1343900	Plug	1
	50	880111	Key	1
	51	1341070	Bearing	1
	52	480890	Ring	1
	53	111120	Ring	1
	54	1341080	Oil seal	1
	55	1340060	Connecting-rod	3
	56	1340080	Pin	3
	57	1340070	Pin	3
	58	1260460	Oil seal	3
	59	600180	O-ring	3
	60	1341010	Plate	3
	61	1342740	Piston	3
	62	1341020	Washer	3

UN\_CE\_0761-NW



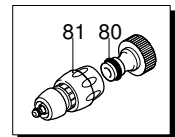
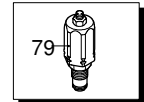
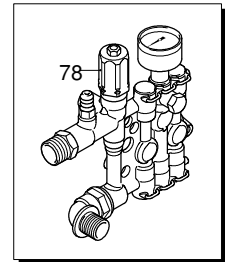
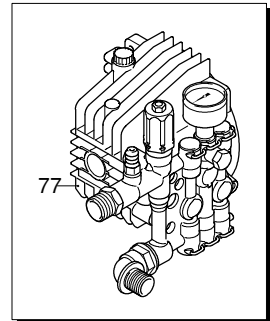
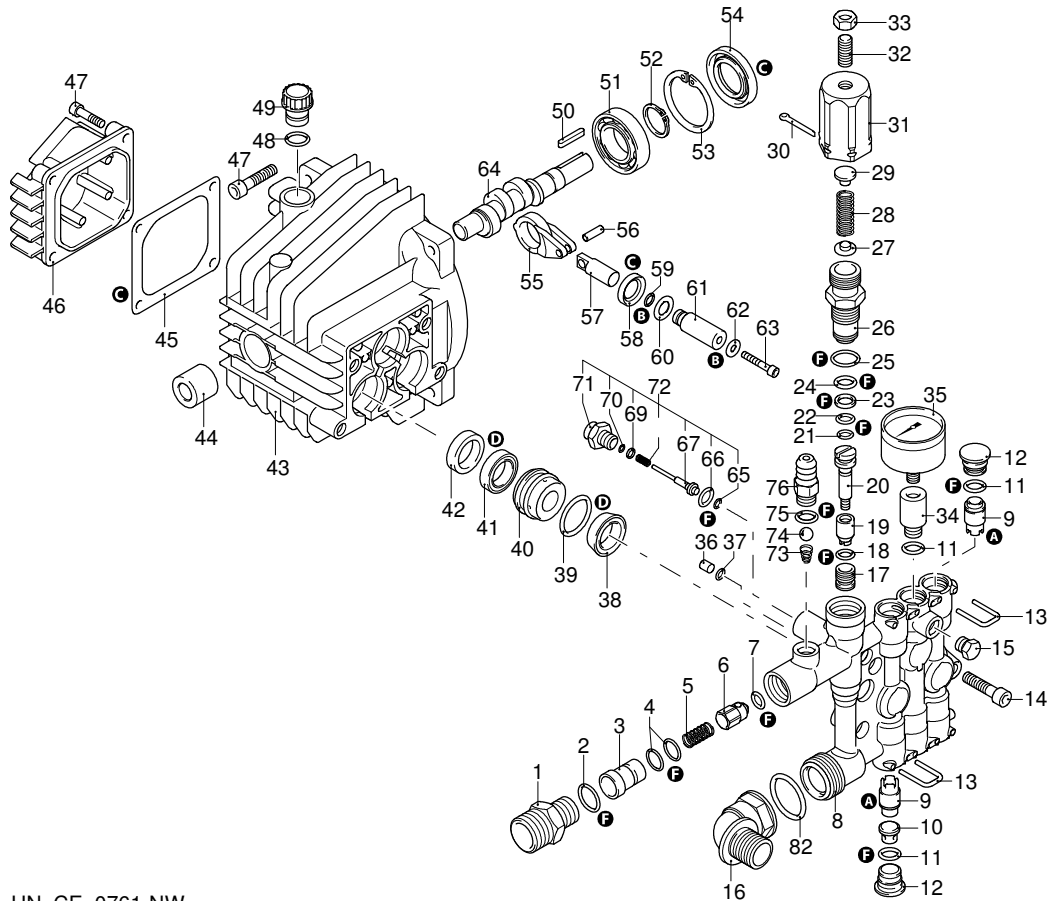
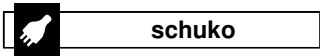
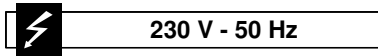
# Model HW 150

Version:

Serial number:

Code: **13029**

07/12/2010



Validity	Pos.	Code	Description	Q
	63	850670	Screw	3
	64	1340170	Shaft	1
	65	1120680	O-ring	1
	66	600180	O-ring	1
	67	2022040	Pin	1
	68	2021630	Spring	1
	69	2021650	Washer	1
	70	1260820	O-ring	1
	71	1344830	Fitting	1
	72	42580	TSS kit	1
	73	1560520	Spring	1
	74	1250280	Ball	1
	75	480480	O-ring	1
	76	1982520	Hose tail	1
	77	1349285	Pump assembly	1
	78	1349204	Head assembly	1
	79	42579	Valve kit adjustment	1
	80	3082130	Water coupling kit	1
	81	40086	Fitting	1
	82	2440230	O-ring	1
A		42566	Valve kit	1
B		2623	Piston kit	1
C		1876	Oil seal kit	1
D		42567	Water seal kit	1
F		42568	Gasket kit	1

UN\_CE\_0761-NW



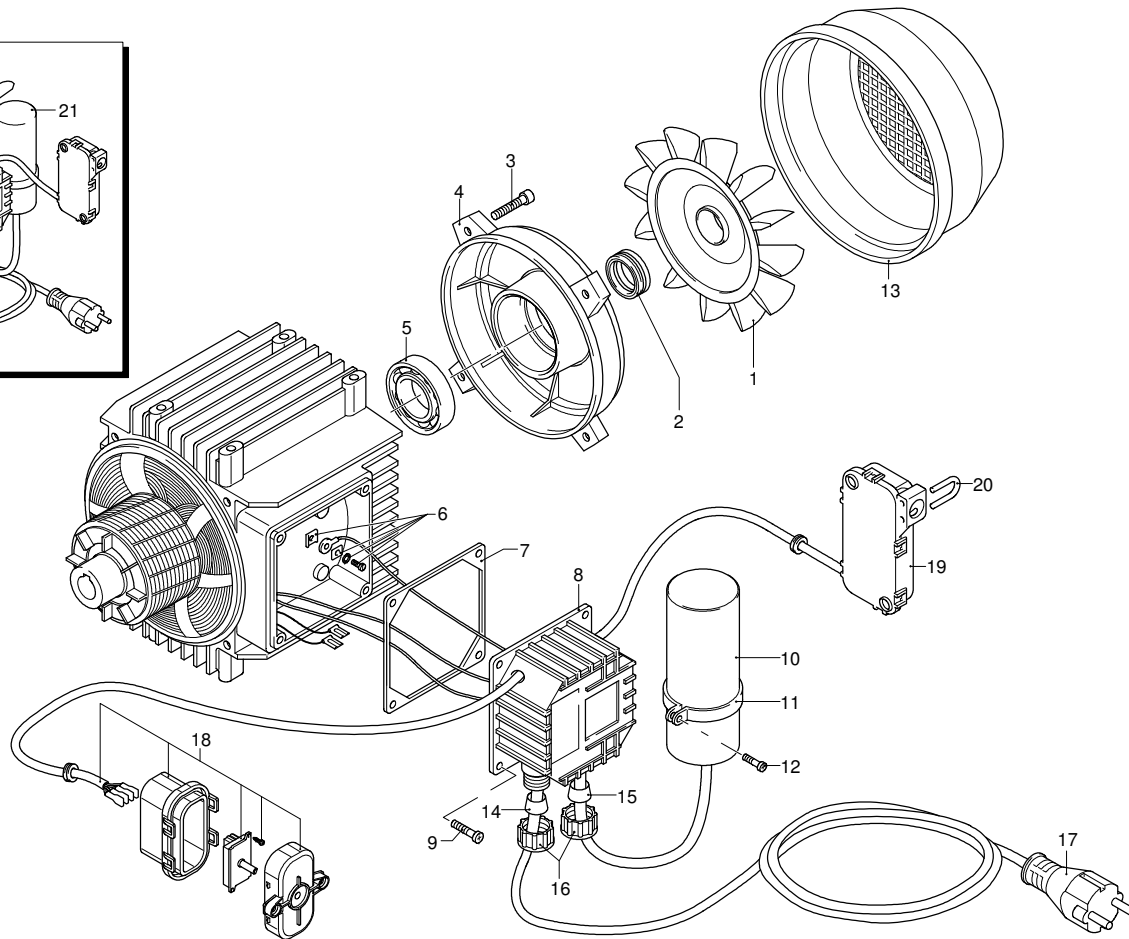
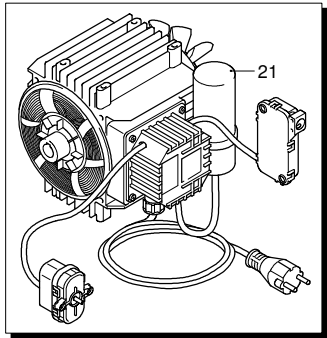
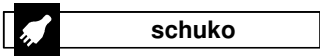
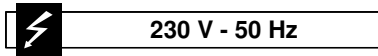
# Model HW 150

Version:

Serial number:

Code: **13029**

07/12/2010



Validity	Pos.	Code	Description	Q
	1	1260300	Fan	1
	2	1340350	Oil seal	1
	3	1260760	Screw	1
	4	1340320	Shield	1
	5	1340340	Bearing	1
	6	1269100	Clamp	1
	7	1340780	Gasket	1
	8	1341832	Box	1
	9	1261560	Screw	1
	10	1263520	Capacitor	1
	11	1340280	Clamp	1
	12	1261560	Screw	4
	13	1342040	Fan cowling	1
	14	1340660	Rubber foot	1
	15	1340650	Rubber foot	1
	16	1340640	Ring nut	2
	17	1760450	Cable	1
	18	2909209	Box	1
	19	2029752	TSS box assembly	1
	20	2022200	Fork	1
	21	44476	Motor	1



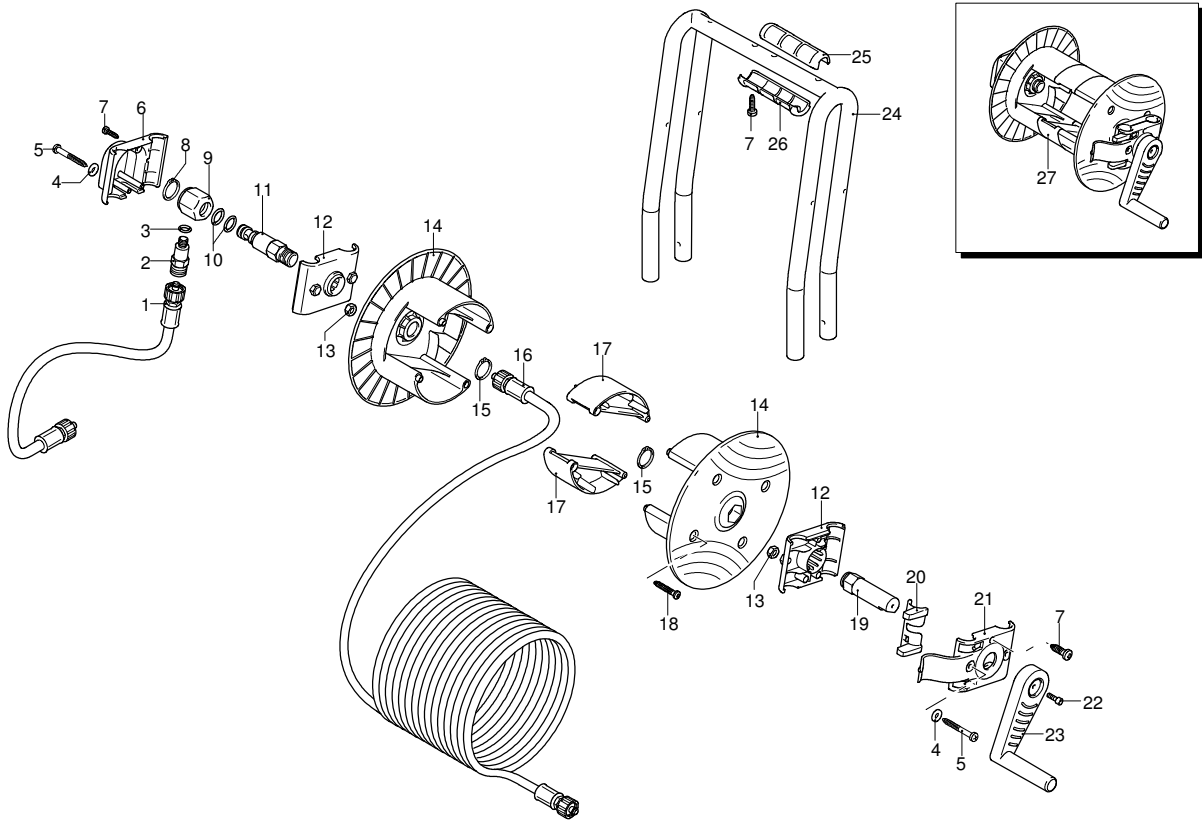
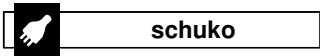
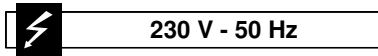
# Model HW 150

Version:

Serial number:

Code: **13029**

07/12/2010



Validity	Pos.	Code	Description	Q
	1	3580310	Pipe	1
	2	3600260	Fitting	1
	3	820510	O-ring	1
	4	480650	Washer	4
	5	3580330	Screw	4
	6	3580150	Bracket	1
	7	2100300	Screw	6
	8	480890	Ring	1
	9	3600220	Fitting	1
	10	390080	O-ring	2
	11	3580340	Hub pin	1
	12	3580160	Bracket	2
	13	480640	Nut	4
	14	2360230	Plate	2
	15	380420	Ring	2
	16	3083550	Pipe	1
	17	3580520	Spacer	2
	18	2021780	Screw	8
	19	3580350	Hub pin	1
	20	3580130	Hook	1
	21	3580140	Bracket	1
	22	2360360	Screw	1
	23	2360150	Lever	1
	24	3580080	Frame	1
	25	3580180	Knob	2
	26	3580090	Knob	2
	27	42581	Hose reel assembly	1



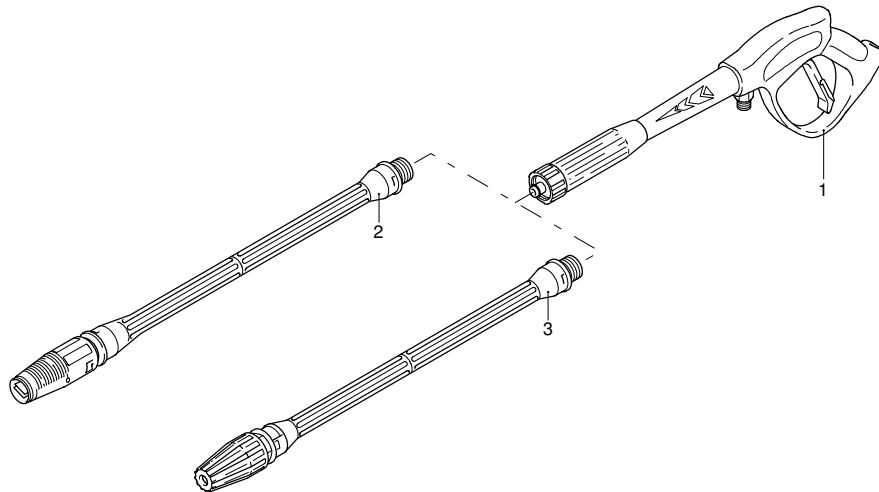
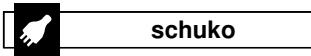
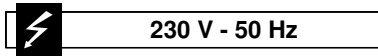
# Model HW 150

Version:

Serial number:

Code: **13029**

07/12/2010



Validity	Pos.	Code	Description	Q
	1	41154	Gun	1
	2	40551	Lance+lance head	1
	3	40167	Lance+rotopower	1