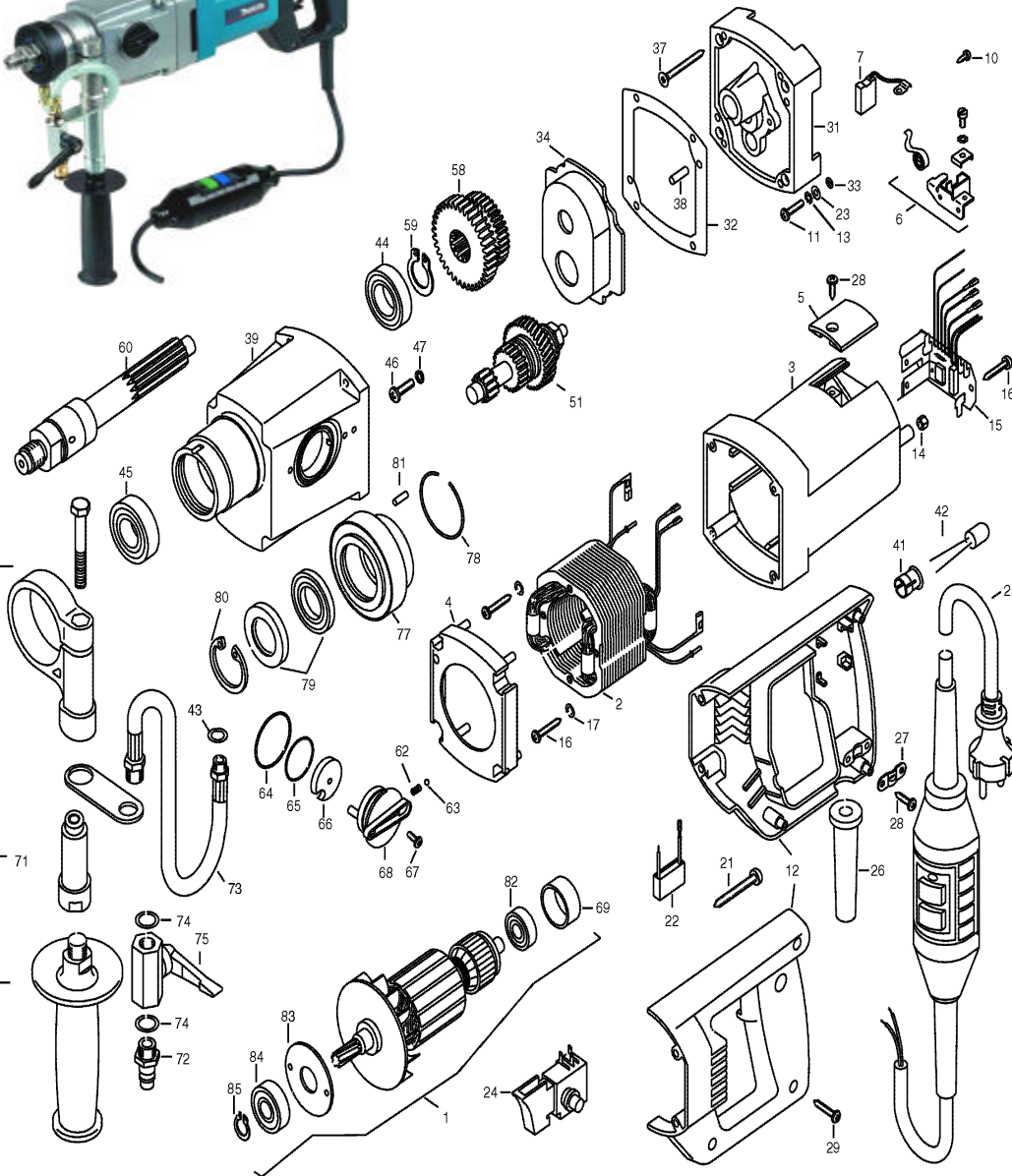


# Modell DBM131

## Nass-Trocken-Diamant-Kern-Bohrmaschine

1.700 Watt



Pos. *PG	Bestell-Nr.	Bezeichnung	Pos. *PG	Bestell-Nr.	Bezeichnung
001	62 EE73313100	ANKER KOMPLETT	071	34 EE7DE33695	SEITENGRIF KPL.
002	47 EE73320150	FELD	072	13 EE83000111	ANSCHLUSSSTUECK GARDENA
003	33 EE80900159	MOTORGEHAEUSE	073	22 EE83000109	ANSCHLUSSSCHLAUCH
004	12 EE73320140	FELDABDECKUNG	074	1 EE83000107	DICHTUNG 1/4"
005	1 EE73320215	KOHLBUERSTENABDECKUNG	075	25 EE83000100	KUGELHAHN
006	17 EE80201199	KOHLBUERSTENHALTER KPL.	077	32 EE73427405	AUFSATZ
007	16 EE80700019	KOHLBUERSTE	078	1 EE80200745	SPRENGRING
010	1 EE80201252	BLECHSCHRAUBE 2,9x13	079	20 EE83000070	WELLENDICHTRING 30x40x5
011	1 EE80201131	LINSENSCHRAUBE M4x16	080	2 EE80201339	SICHERUNGSRING 40
012	23 EE73421261	GRIFFSCHALEN	081	1 EE80200580	STIFT 5x16
013	1 EE80200752	ZAHNSCHEIBE 4,3	082	21 211201-7	RILLENKUGELLAGER 6002LLB
014	1 EE80201295	KUNSTSTOFFMUTTER M5	083	17 EE73320310	LAGERABDECKUNG
015	53 EE73421280	ELEKTRONIK	084	19 211106-1	RILLENKUGELLAGER 6201LLB
016	1 EE80201273	BLECHSCHRAUBE 4,2x25	085	1 EE80201320	SICHERUNGSRING 11/1
017	1 EE80201362	SICHERUNGSSCHEIBE S6			
021	1 EE80201267	BLECHSCHRAUBE 4,8x45			
022	13 EE73320305	KONDENSATOR			
023	1 EE80201371	SCHEIBE 4,3			
024	24 EE80600116	SCHALTER			
025	60 EE73119262	PRCD-SCHALTER KPL.			
026	7 EE71323255	KNICKSCHUTZ			
027	2 EE71540330	ZUGENTLASTUNG			
028	1 EE80201270	BLECHSCHRAUBE 4,2x13			
029	1 EE80201272	BLECHSCHRAUBE 4,2x22			
031	46 EE7332S610	GETRIEBELAGERSCHILD			
032	6 EE73320620	DICHTUNG			
033	1 EE83000019	RING 3,68x1,78			
034	7 EE73320625	FETTKAMMERDECKEL			
037	2 EE80201275	SENKSCHEIBE 4,5x50			
038	1 EE80200580	STIFT 5x16			
039	52 EE73429400	GETRIEBEGEHAEUSE			
041	3 EE80601153	HALTERUNG			
042	10 EE80601154	LEUCHTDIODE			
043	1 EE83000106	DICHTUNG 1/8"			
044	23 211323-3	RILLENKUGELLAGER 6904LLB			
045	21 211301-3	RILLENKUGELLAGER 6004LLB			
046	1 EE80201204	LINSENSCHRAUBE M5x20			
047	1 EE80201302	FEDERRING 5			
051	60 EE73421493	RUTSCHKUPPLUNG KPL.			
058	33 EE73421440	STUFENSTIRNRAD			
059	1 EE80201319	SICHERUNGSRING 19			
060	43 EE73427420	SPINDEL			
062	3 EE80200698	DRUCKFEDER			
063	1 EE80410080	KUGEL 3,5			
064	5 EE83000022	RING 36x1,5			
065	3 EE83000017	RING 28x1			
066	14 EE73320542	HALTEPLATTE			
067	1 EE80201149	SCHRAUBE M3x12			
068	17 EE73320541	UMSCHALTER			
069	7 EE73320315	PASSRING			

Zubehör		
- P-41757	DIAMANT-BOHRKRONE	14x300mm
- P-41763	DIAMANT-BOHRKRONE	16x300mm
- P-41779	DIAMANT-BOHRKRONE	18x300mm
- P-41785	DIAMANT-BOHRKRONE	20x300mm
- P-41791	DIAMANT-BOHRKRONE	22x300mm
- P-41800	DIAMANT-BOHRKRONE	24x300mm
- P-41816	DIAMANT-BOHRKRONE	26x300mm
- P-41822	DIAMANT-BOHRKRONE	29x300mm
- P-41838	DIAMANT-BOHRKRONE	31x300mm
- P-41844	DIAMANT-BOHRKRONE	36x300mm
- P-41850	DIAMANT-BOHRKRONE	41x400mm
- P-09905	DIAMANT-BOHRKRONE	46x400mm
- P-09911	DIAMANT-BOHRKRONE	51x400mm
- P-09927	DIAMANT-BOHRKRONE	56x400mm
- P-09933	DIAMANT-BOHRKRONE	61x400mm
- P-09949	DIAMANT-BOHRKRONE	71x400mm
- P-09955	DIAMANT-BOHRKRONE	81x400mm
- P-09961	DIAMANT-BOHRKRONE	91x400mm
- P-09977	DIAMANT-BOHRKRONE	101x400mm
- P-09983	DIAMANT-BOHRKRONE	111x400mm
- P-09999	DIAMANT-BOHRKRONE	121x400mm
- P-10001	DIAMANT-BOHRKRONE	131x400mm
- P-40076	ADAPTER M18-M16	
- P-41866	ADAPTER M18-M30	
- P-42151	ADAPTER M18i - 1 1/4" a + R 1/2"i	
- P-40082	BOHRSTAENDER	
- P-40098	BEFESTIGUNGSSET	
- P-40107	DUEBEL	
- P-40288	EINSCHLAGDORN	
- P-40113	FLUEGELMUTTER	
- P-40135	GEWINDESTANGE	
- P-40129	BEFESTIGUNGSSCHEIBE	

Item No.	Description	Cost price subsidiaries
EE7DE33695	GRIP COMPLETE	12.20 €
EE71323255	CORD GUARD	0.65 €
EE71540330	STRAIN RELIEF	0.25 €
EE73119262	PRCD-SWITCH CPL.	37.55 €
EE73313100	ARMATURE ASS'Y 220-240V	47.40 €
EE7332S610	CRANK HOUSING COVER	22.90 €
EE73320140	BAFFLE PLATE	1.20 €
EE73320150	FIELD 220-240V	21.95 €
EE73320215	BRUSH HOLDER COVER	0.20 €
EE73320305	NOISE SUPPRESSOR	1.45 €
EE73320310	BEARING RETAINER	1.60 €
EE73320315	SUPPORTING WASHER	0.65 €
EE73320541	SWITCH	2.05 €
EE73320542	COVER PLATE	1.60 €
EE73320620	GASKET	0.60 €
EE73320625	GREASE COVER	0.65 €
EE73421261	HANDLE COVER SET	5.20 €
EE73421280	CONTROLLER	26.70 €
EE73421440	GEAR	11.90 €
EE73421493	TORQUE LIMITER CPL.	38.18 €
EE73427405	ELEMENT	11.40 €
EE73427420	SPINDLE	19.85 €
EE73429400	GEAR HOUSING COMPLETE	25.95 €
EE80200580	PIN 5x16	0.10 €
EE80200580	PIN 5x16	0.10 €
EE80200698	COMPRESSION SPRING	0.30 €
EE80200745	RING SPRING	0.20 €
EE80200752	SELF LOCK 4,3	0.05 €
EE80201131	OVAL HEAD SCREW M4x16	0.10 €
EE80201149	SCREW M3x16	0.05 €
EE80201199	BRUSH HOLDER CPL.	2.05 €
EE80201204	OVAL HEAD SCREW M5x20	0.10 €
EE80201252	TAPPING SCREW 2,9x13	0.05 €
EE80201267	TAPPING SCREW 4,8x45	0.20 €
EE80201270	TAPPING SCREW 4,2x13	0.20 €
EE80201272	TAPPING SCREW 4,2x22	0.20 €
EE80201273	TAPPING SCREW 4,2x25	0.15 €
EE80201275	COUNTERSUNK HEAD SCREW 4,5x5	0.25 €
EE80201295	PLASTIC NUT	0.10 €
EE80201302	SPRING WASHER 5	0.05 €
EE80201319	RETAINING RING 19	0.10 €
EE80201320	RETAINING RING 11/1	0.10 €
EE80201339	RETAINING RING 40	0.25 €
EE80201362	STOP RING S6	0.05 €
EE80201371	WASHER 4,3	0.05 €
EE80410080	STEEL BALL 3.5	0.15 €
EE80600116	SWITCH	5.35 €
EE80601153	HOLDER	0.30 €
EE80601154	LED	0.95 €
EE80700019	BRUSH	2.00 €
EE80900159	MOTOR HOUSING	11.75 €
EE83000017	RING 28x1	0.30 €
EE83000019	RING 3,68x1,78	0.10 €
EE83000022	RING 36x1,5	0.50 €
EE83000070	SEAL 30x40x5	3.15 €
EE83000100	COCK	6.05 €
EE83000106	GASKET RING 1/8"	0.10 €
EE83000107	GASKET RING 1/4"	0.10 €
EE83000109	TUBE	4.00 €
EE83000111	NOZZLE GARDENA 920	1.45 €
211106-1	BALL BEARING 6201LLB	0.65 €
211201-7	BALL BEARING 6002LLB	1.10 €
211301-3	BALL BEARING 6004LLB	2.20 €
211323-3	BALL BEARING 6904LLU	3.10 €
EE73427270	Fet Spacer	2.10 €